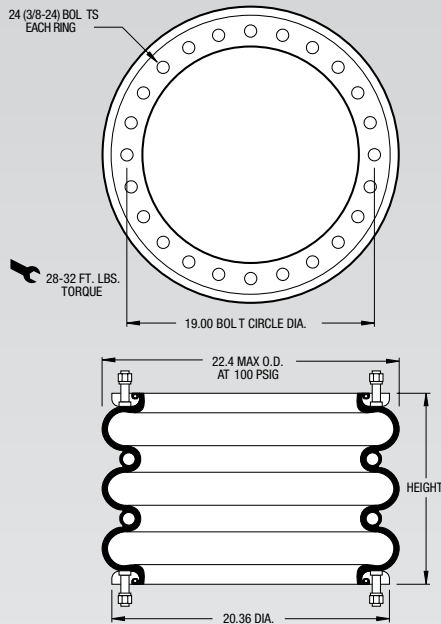


Description		Assembly Order No.
Style 320	Ribbed neck aluminum bead rings (equal spacing), 1 7/8 bolts, nuts, washers	W01-358-7324
Two Ply Bellows	Rolled plate assembly*, 1/2 blind nuts, 3/4 NPT Rubber bellows only	W01-358-7276 W01-358-0987
Assembly weight		39.5 lbs
Force to collapse to minimum height (@ 0 PSIG)...		90 lbs.

Style 328	Ribbed neck aluminum bead rings (equal spacing), 1 7/8 bolts, nuts, washers	W01-358-9528
High Strength Bellows	Rolled plate assembly*, 1/2 blind nuts, 3/4 NPT	W01-358-9526

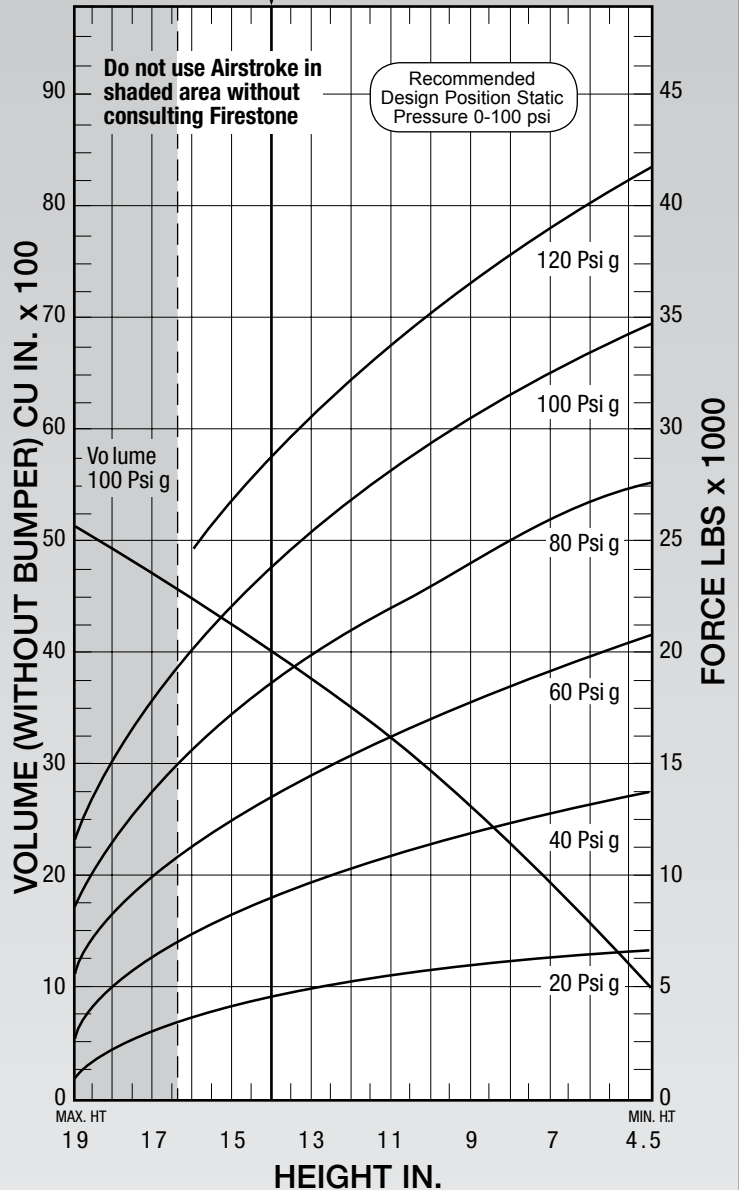


NOTE: A bead ring part is shown. This part is also available with rolled plates. See page 11 for explanation.

*Increase the minimum height by .70 inch. Add .70 inch to the height (bottom axis) before reading loads.

Dynamic Characteristics at 14.0 in. Design Height (Required for Airmount isolator design only)				
Volume @ 100 PSIG = 4,263 in ³			Natural Frequency	
Gage Pressure (PSIG)	Load (lbs.)	Spring Rate (lbs./in.)	CPM	HZ
40	9,340	1,588	77	1.29
60	14,250	2,515	79	1.32
80	19,200	3,114	76	1.26
100	24,220	3,724	74	1.23

CONSULT FIRESTONE BEFORE USING AS AIRMOUNT
RECOMMENDED AIRMOUNT DESIGN HEIGHT 14.0 INCHES



See page 12 for instructions on how to use chart.

Force Table (Use for Airstroke™ actuator design)						
Assembly Height (in.)	Volume @ 100 PSIG (in ³)	Pounds Force				
		@20 PSIG	@40 PSIG	@60 PSIG	@80 PSIG	@100 PSIG
16.0	4,754	3,730	7,930	11,990	16,370	21,230
14.0	4,263	4,450	9,340	14,250	19,200	24,220
12.0	3,716	5,230	10,470	15,700	21,260	26,980
10.0	3,122	5,860	11,420	17,220	23,580	29,680
8.0	2,495	5,940	12,020	18,170	24,700	31,120
6.0	1,819	6,210	13,150	20,030	26,890	33,870