

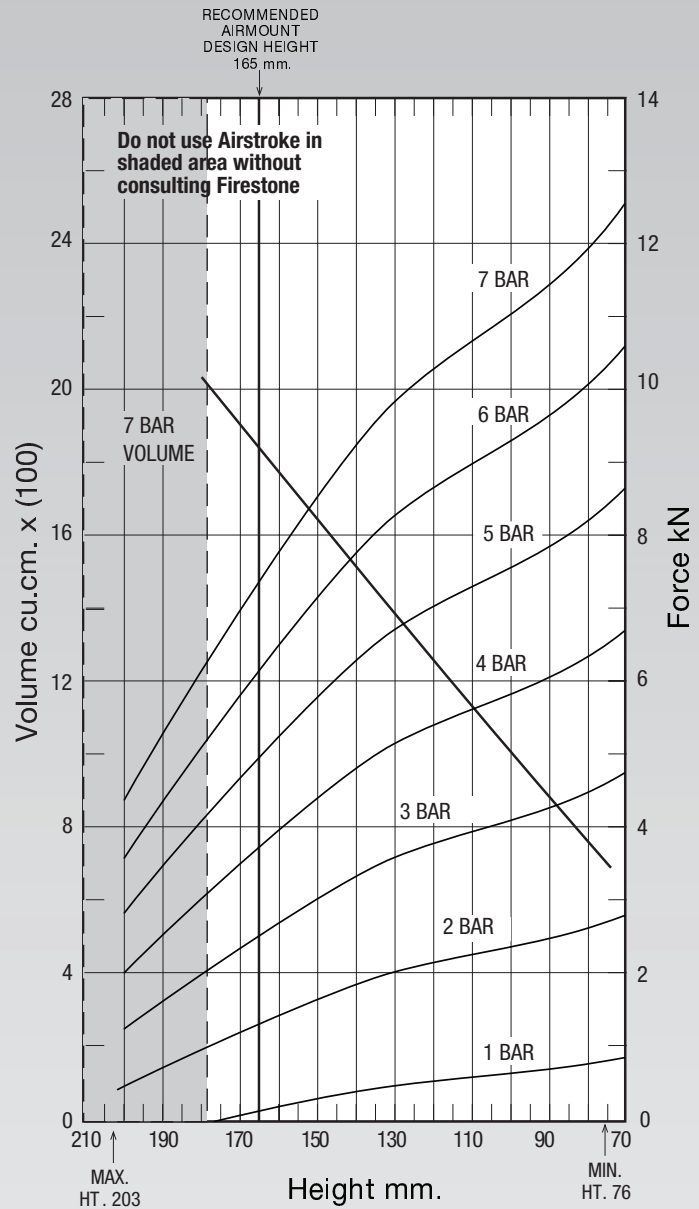
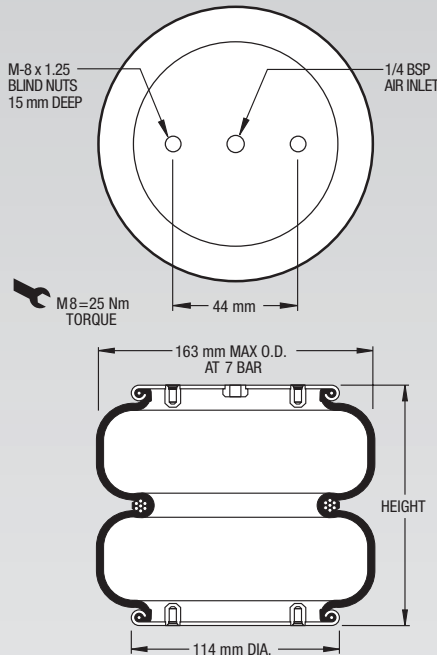
267-1.5

Firestone



NOTE: All Assembly Order Numbers are for bead plate parts unless noted otherwise.

| | Description | Assembly Order No. |
|---|---|--------------------|
| Style | Blind nuts, 1/4 BSP | W01-M58-6105 |
| 255-1.5 | Socket head aluminum bead rings (bolts, nuts, washers not included, use cap screws) | W01-358-6833 |
| Two Ply Bellows | Rubber bellows only | W01-358-0048 |
| Assembly weight | | 1.7 kg. |
| Force to collapse to minimum height (@ 0 BAR) | | 190 N. |



See page 12 for instructions on how to use chart.

NOTE: A bead plate part is shown. This part is also available with bead rings. Bolts are not included. See pages 8-10 for explanation.

Dynamic Characteristics at 165 mm Design Height
(Required for Airmount isolator design only)

| Gauge Pressure (BAR) | Load (kN) | Spring Rate (kN/m) | Natural Frequency Hz |
|----------------------|-----------|--------------------|----------------------|
| 3 | 3.2 | 59 | 2.30 |
| 4 | 4.3 | 73 | 2.21 |
| 5 | 5.3 | 90 | 2.16 |
| 6 | 6.5 | 106 | 2.11 |
| 7 | 7.5 | 121 | 2.08 |

Force Table (Use for Airstroke™ actuator design)

| Assembly Height (mm) | Volume @ 7 BAR (cu cm) | EFF Area @ 7 BAR (cm sq) | kN Force | | | | |
|----------------------|------------------------|--------------------------|----------|---------|---------|---------|---------|
| | | | @ 3 BAR | @ 4 BAR | @ 5 BAR | @ 6 BAR | @ 7 BAR |
| 175 | 2048 | 86 | 2.5 | 3.4 | 4.3 | 5.2 | 6.0 |
| 150 | 1786 | 107 | 3.2 | 4.3 | 5.3 | 6.4 | 7.5 |
| 125 | 1491 | 123 | 3.6 | 4.9 | 6.1 | 7.3 | 8.6 |
| 100 | 1163 | 134 | 4.0 | 5.3 | 6.7 | 8.0 | 9.4 |
| 75 | 803 | 143 | 4.2 | 5.7 | 7.1 | 8.5 | 10.0 |
| 60 | 623 | 156 | 4.7 | 6.2 | 7.8 | 9.4 | 10.9 |