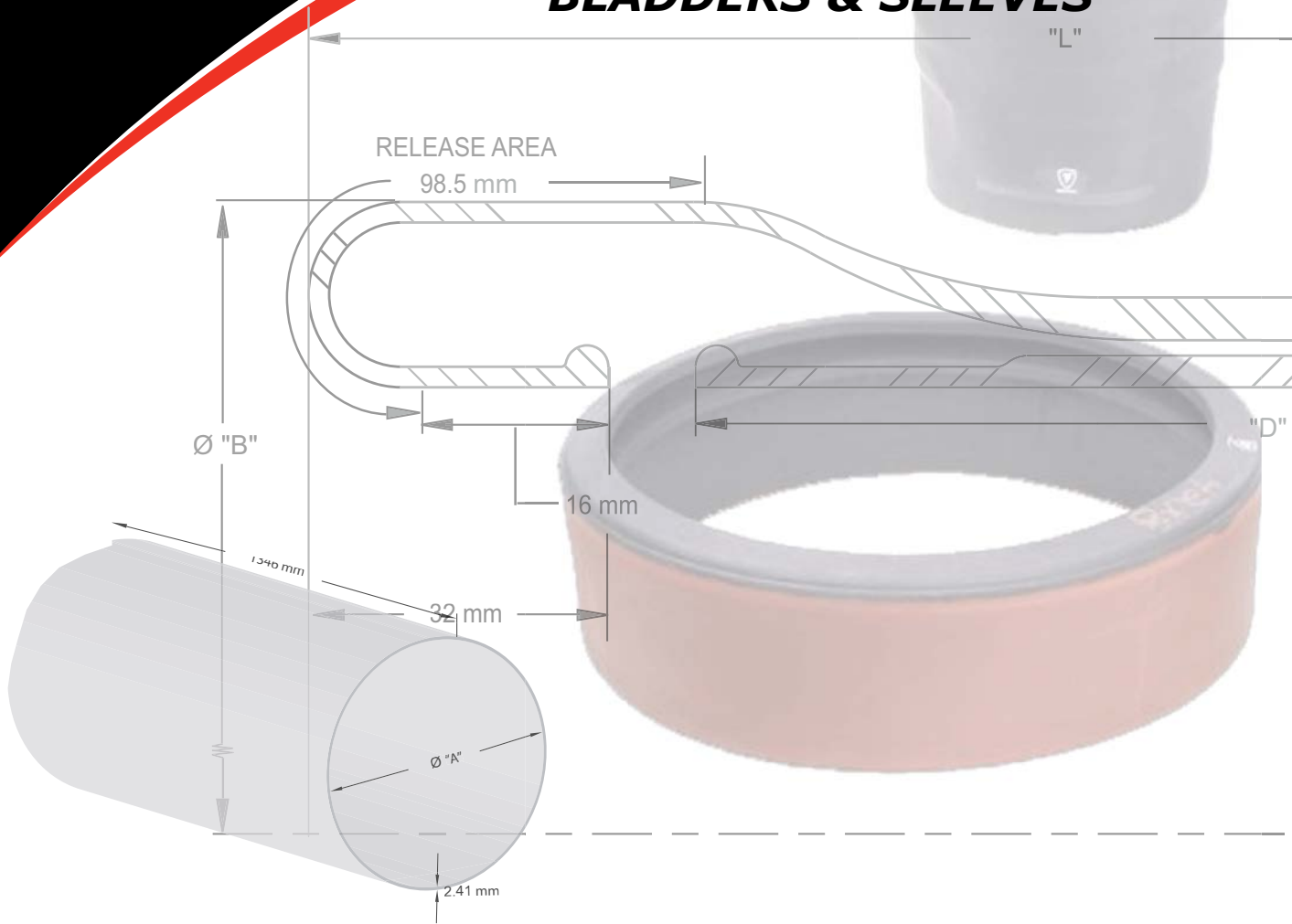


Firestone

INDUSTRIAL PRODUCTS COMPANY

BLADDERS & SLEEVES



TAM

PARTS CATALOG



INTRODUCTION



Firestone Industrial Products has been a leading manufacturer of tire assembly machine bladders, sleeves and accessories for over 35 years.

Today, Firestone's broad product line, developed in cooperation with leading tire building machine manufacturers, includes a variety of standard and custom-produced bladders and sleeves to fit the tire design needs.

Each bladder and sleeve is produced under stringent ISO standards that monitor quality throughout all manufacturing steps. This results in improved bladder uniformity and extended life of the part. These characteristics produce consistent tire uniformity and a lower cost per tire.

For standard or custom-designed bladders, sleeves, and accessories, trust Firestone. Each is backed by individualized technical support unmatched in the industry.



Firestone

INDUSTRIAL PRODUCTS COMPANY

Phn: 800-888-0650
317-818-8600

250 W. 96th Street
Indianapolis, IN 46260
www.firestonebladders.com

Fax: 317-818-8645

CONTACTS

Firestone Industrial Products

Bladders & Sleeves

800-888-0650 • 317-818-8600

Customer Service

Ext. 58652

Sales

Ext. 58626

CONTENTS

I. PASSENGER/LIGHT TRUCK

88HP BLADDERS01
88C BLADDERS03
VMI/FP BLADDERS05
VMI/FP BEAD SET BLADDER.....	.06
VMI/FP RETURN SPRING07

II. TRUCK

MITSUBISHI BLADDERS08
#90 BLADDERS11
NRM 401 BLADDERS12

Firestone

INDUSTRIAL PRODUCTS COMPANY

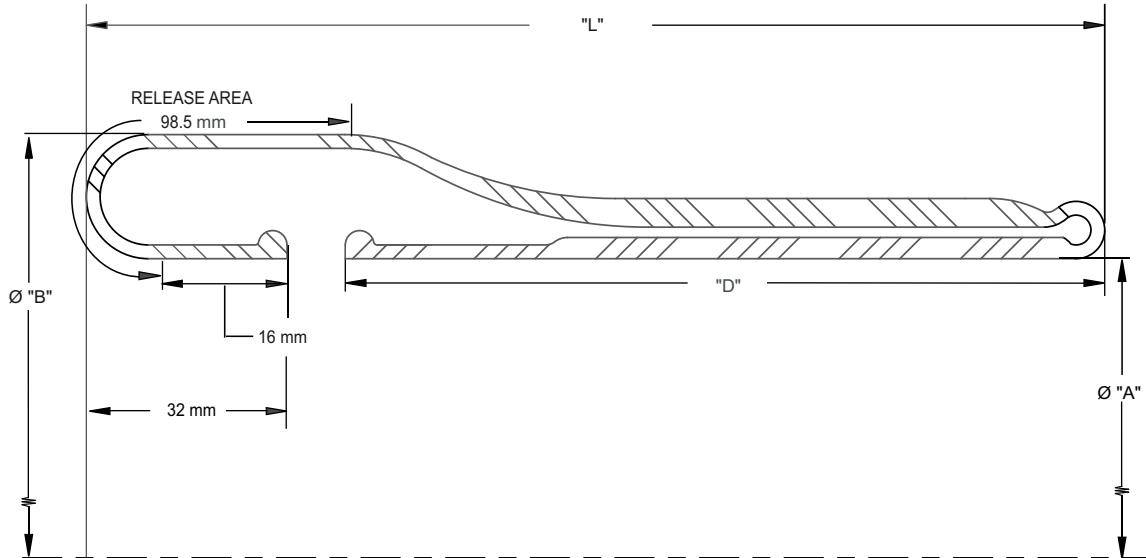
PASSENGER/LIGHT TRUCK

SECTION

PASSENGER/LIGHT TRUCK

Firestone
INDUSTRIAL PRODUCTS COMPANY

88HP TUB



88HP x 8.8 TUB

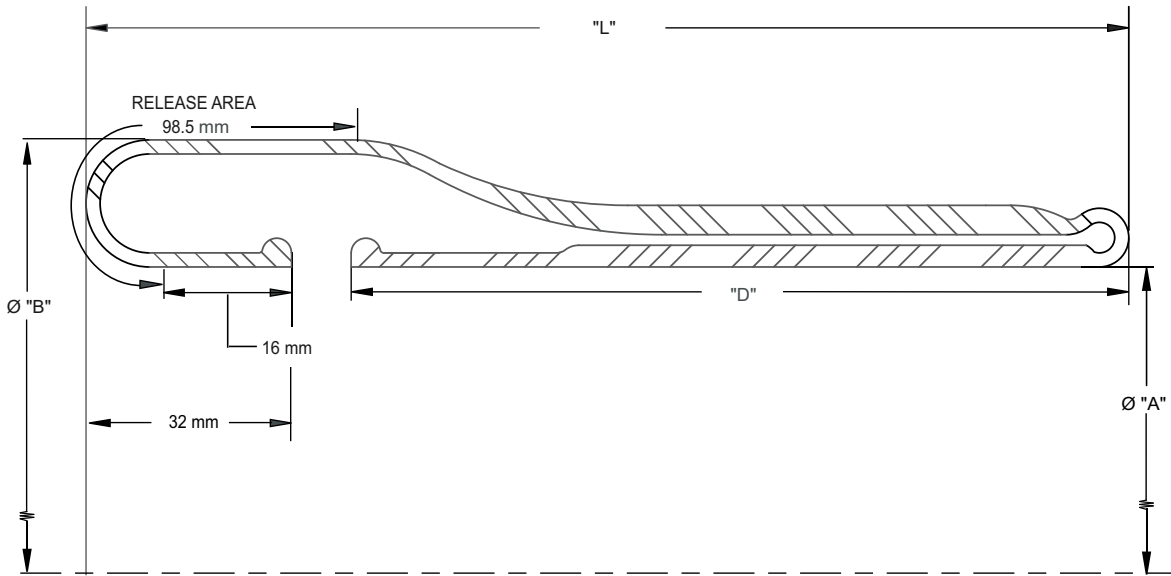
SIZE	PART#	Ø "A"	"B"	"D"	"L"
12" x 8.8	W04-358-3050	229 mm	260 mm	168 mm	226 mm
		9.00 in	10.23 in	6.62 in	8.88 in
13" x 8.8	W04-358-3051	254 mm	285 mm	168 mm	226 mm
		10.00 in	11.22 in	6.62 in	8.88 in
14" x 8.8	W04-358-3052	279 mm	310 mm	168 mm	226 mm
		11.00 in	12.21 in	6.62 in	8.88 in
15" x 8.8	W04-358-3053	305 mm	335 mm	168 mm	226 mm
		12.00 in	13.19 in	6.62 in	8.88 in
16" x 8.8	W04-358-3054	330 mm	357 mm	168 mm	226 mm
		13.00 in	14.06 in	6.62 in	8.88 in
17" x 8.8	W04-358-3055	356 mm	382 mm	168 mm	226 mm
		14.00 in	15.04 in	6.62 in	8.88 in
18" x 8.8	W04-358-3071	381 mm	407 mm	168 mm	226 mm
		15.00 in	16.03 in	6.62 in	8.88 in
20" x 8.8	W04-358-3076	432 mm	456 mm	168 mm	226 mm
		17.00 in	17.95 in	6.62 in	8.88 in
22" x 8.8	W04-358-3077	483 mm	506 mm	168 mm	226 mm
		19.00 in	19.91 in	6.62 in	8.88 in
24" x 8.8	W04-358-3078	533 mm	556 mm	168 mm	226 mm
		21.00 in	21.87 in	6.62 in	8.88 in

88HP x 9.8 TUB

SIZE	PART#	Ø "A"	Ø "B"	"D"	"L"
19" x 9.8	W04-358-3000	403.4 mm	432.1 mm	193.5 mm	251.0 mm
		15.88 in	17.01 in	7.62 in	9.88 in

Firestone
INDUSTRIAL PRODUCTS COMPANY

88HP TUB



88HP x 10.0 TUB

SIZE	PART#	Ø "A"	Ø "B"	"D"	"L"
14" x 10.0	W04-358-3070	279 mm	310 mm	197 mm	254 mm
		11.00 in	12.21 in	7.75 in	10.00 in
15" x 10.0	W04-358-3062	305 mm	335 mm	197 mm	254 mm
		12.00 in	13.19 in	7.75 in	10.00 in
16" x 10.0	W04-358-3063	330 mm	357 mm	197 mm	254 mm
		13.00 in	14.06 in	7.75 in	10.00 in

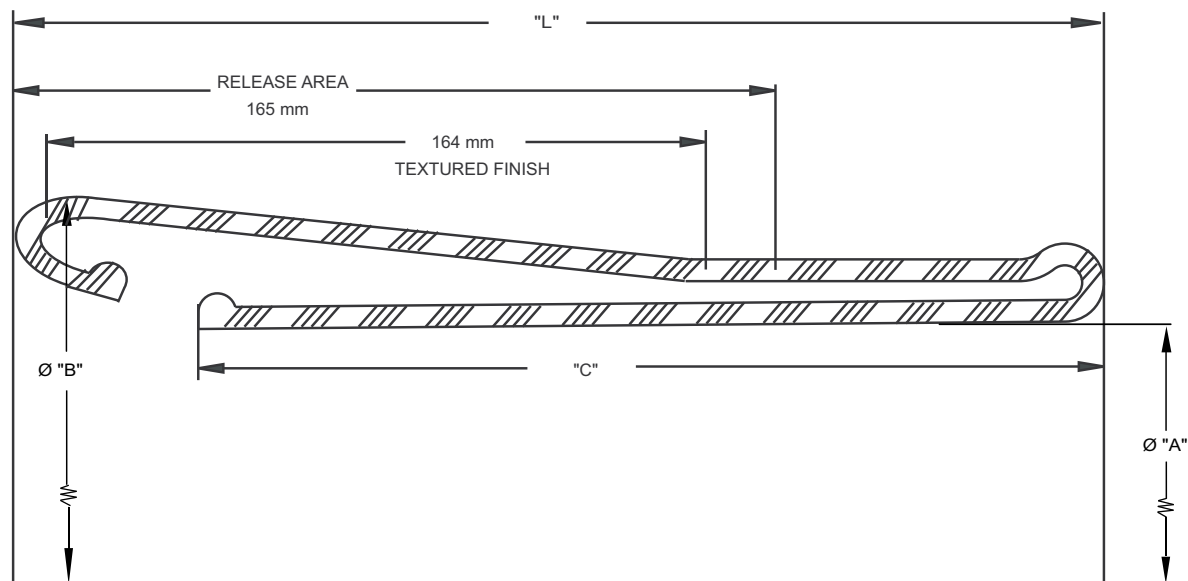
88HP x 10.5 TUB

SIZE	PART#	Ø "A"	Ø "B"	"D"	"L"
13" x 10.5	W04-358-3056	254 mm	285 mm	225 mm	267 mm
		10.00 in	11.22 in	8.25 in	10.50 in
14" x 10.5	W04-358-3057	279 mm	310 mm	225 mm	267 mm
		11.00 in	12.21 in	8.25 in	10.50 in
15" x 10.5	W04-358-3058	305 mm	335 mm	225 mm	267 mm
		12.00 in	13.19 in	8.25 in	10.50 in
16" x 10.5	W04-358-3059	330 mm	357 mm	225 mm	267 mm
		13.00 in	14.06 in	8.25 in	10.50 in
17" x 10.5	W04-358-3064	356 mm	382 mm	225 mm	267 mm
		14.00 in	15.04 in	8.25 in	10.50 in
18" x 10.5	W04-358-3072	381 mm	407 mm	225 mm	267 mm
		15.00 in	16.03 in	8.25 in	10.50 in

Firestone

INDUSTRIAL PRODUCTS COMPANY

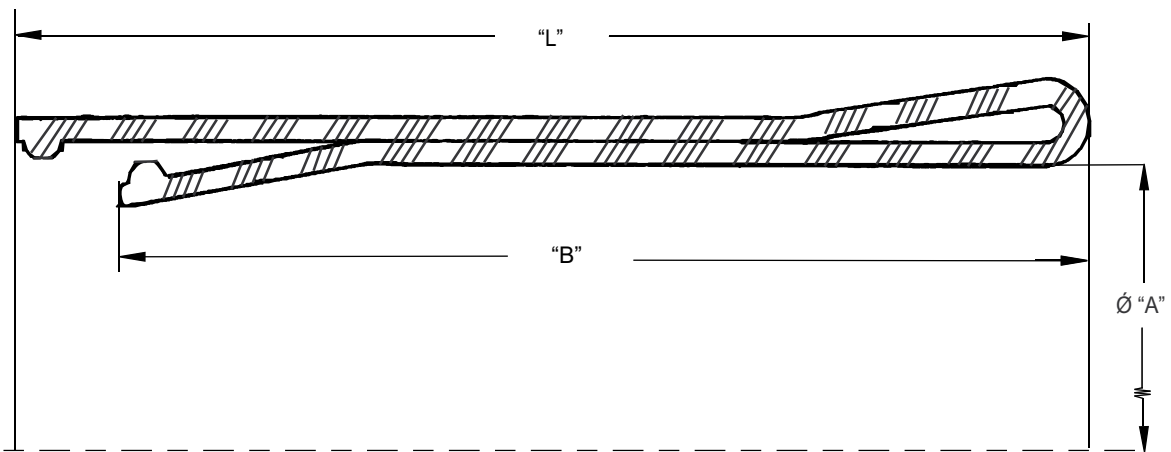
88C OUTER TUB



88C OUTER TUB

SIZE	PART#	\varnothing "A"	\varnothing "B"	"C"	"L"
13"	W04-358-3460	252 mm	299 mm	146 mm	203 mm
		9.92 in	11.75 in	5.75 in	8.00 in
14"	W04-358-3461	277 mm	324 mm	146 mm	203 mm
		10.91 in	12.75 in	5.75 in	8.00 in
15"	W04-358-3462	302 mm	349 mm	146 mm	203 mm
		11.88 in	13.75 in	5.75 in	8.00 in
16"	W04-358-3463	327 mm	376 mm	165 mm	222 mm
		12.86 in	14.81 in	6.50 in	8.75 in
17"	W04-358-3464	353 mm	412 mm	159 mm	216 mm
		13.89 in	16.21 in	6.25 in	8.50 in

88C INNER TUB

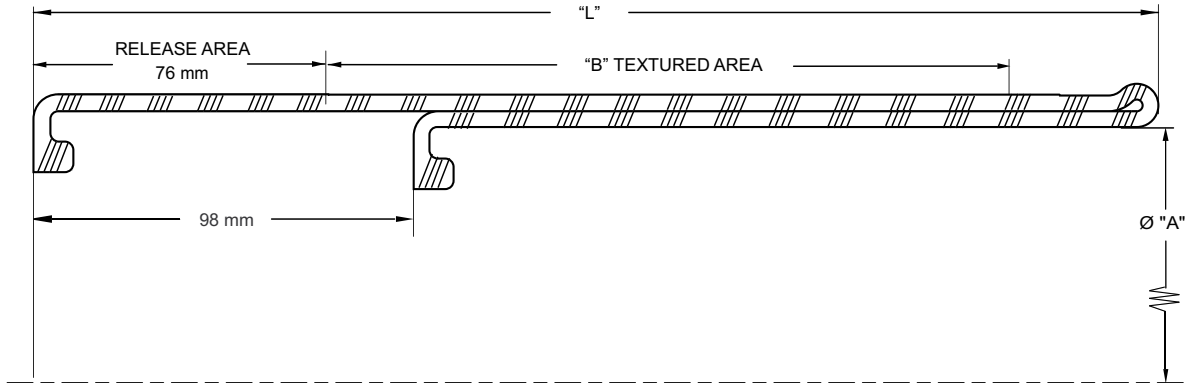


88C INNER TUB

SIZE	PART#	Ø "A"	"B"	"L"
12"	W04-358-3497	203 mm	154 mm	172 mm
		8.00 in	6.05 in	6.75 in
13"	W04-358-3500	229 mm	154 mm	172 mm
		9.00 in	6.05 in	6.75 in
14"	W04-358-3503	254 mm	154 mm	172 mm
		10.00 in	6.05 in	6.75 in
15"	W04-358-3506	279 mm	154 mm	172 mm
		11.00 in	6.05 in	6.75 in
16"	W04-358-3509	305 mm	154 mm	172 mm
		12.00 in	6.05 in	6.75 in
17"	W04-358-3496	330 mm	154 mm	172 mm
		13.00 in	6.05 in	6.75 in
19"	W04-358-3498	381 mm	173 mm	191 mm
		15.00 in	6.80 in	7.50 in

Firestone
INDUSTRIAL PRODUCTS COMPANY

VMI/FP TUB 118/120



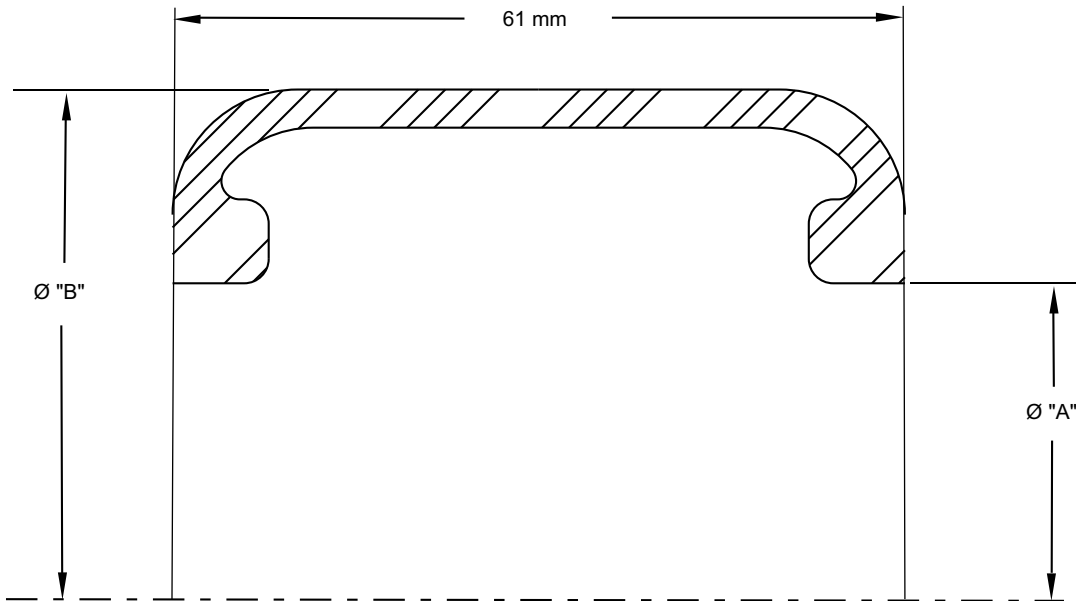
VMI/FP TUB 118/120

SIZE	PART#	CODE	Ø "A"	Ø "B"	"L"
13" x 290	W04-358-4834	118	285 mm	181 mm	290 mm
			11.22 in	7.13 in	11.42 in
14" x 290	W04-358-4835	118	308 mm	181 mm	290 mm
			12.12 in	7.13 in	11.42 in
15" x 290	W04-358-4836	118	329 mm	181 mm	290 mm
			12.97 in	7.13 in	11.42 in
16" x 290	W04-358-4837	118	355 mm	181 mm	290 mm
			13.97 in	7.13 in	11.42 in
13" x 320	W04-358-4838	120	285 mm	219 mm	320 mm
			11.22 in	8.63 in	12.60 in
14" x 320	W04-358-4839	120	308 mm	219 mm	320 mm
			12.12 in	8.63 in	12.60 in
15" x 320	W04-358-4840	120	329 mm	219 mm	320 mm
			12.97 in	8.63 in	12.60 in
16" x 320	W04-358-4841	120	355 mm	219 mm	320 mm
			13.97 in	8.63 in	12.60 in

Firestone
INDUSTRIAL PRODUCTS COMPANY

VMI/FP BLADDERS

VMI/FP BEAD SET BLADDER

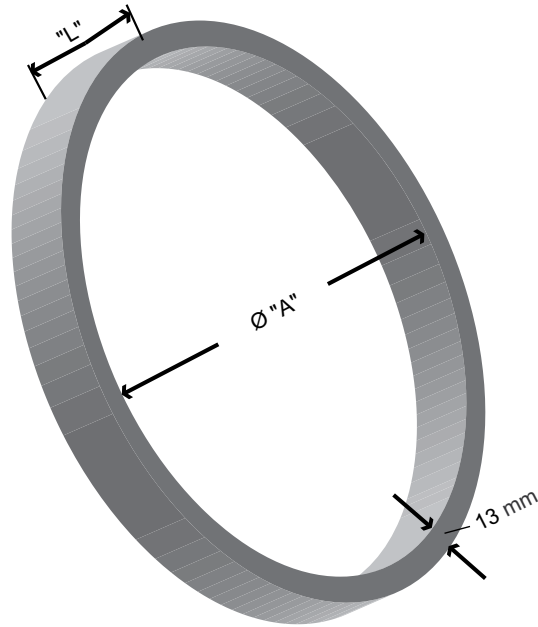


FP BEAD SET

SIZE	PART#	Ø "A"	Ø "B"
13"	W11-358-4767	180 mm	212 mm
		7.09 in	8.36 in
14"	W11-358-4766	199 mm	231 mm
		7.84 in	9.11 in
15"	W11-358-4764	245 mm	278 mm
		9.65 in	10.93 in

Firestone
INDUSTRIAL PRODUCTS COMPANY

VMI/FP RETURN SPRING



VMI/FP RETURN SPRING

SIZE	PART#	Ø "A"	"L"
12"	W11-358-2194	219 mm	25 mm
		8.62 in	0.98 in
13"	W11-358-2148	244 mm	25 mm
		9.61 in	0.98 in
14"	W11-358-2149	262 mm	25 mm
		10.32 in	0.98 in
15"	W11-358-2150	290 mm	25 mm
		11.42 in	0.98 in
16"	W11-358-2164	300 mm	25 mm
		11.81 in	0.98 in
16"	W11-358-2154	300 mm	28 mm
		11.81 in	1.12 in
17"	W11-358-6118	300 mm	25 mm
		13.01 in	0.98 in
18"	W11-358-6119	331 mm	25 mm
		13.81 in	0.98 in
20"	W11-358-6120	351 mm	25 mm
		15.82 in	0.98 in

Firestone

INDUSTRIAL PRODUCTS COMPANY

TRUCK

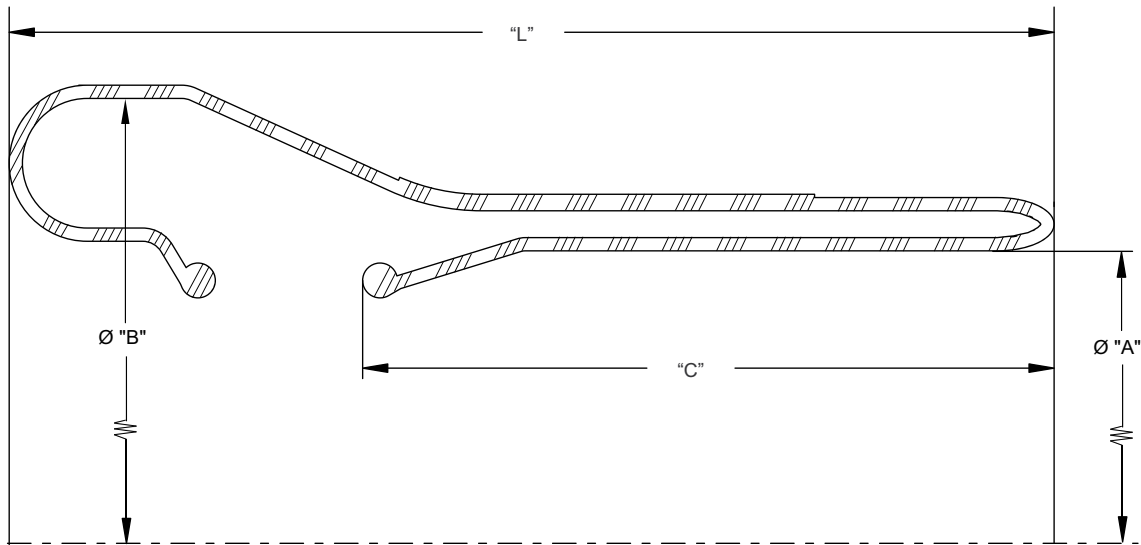
TRUCK



SECTION

Firestone
INDUSTRIAL PRODUCTS COMPANY

MITSUBISHI 041 TUB

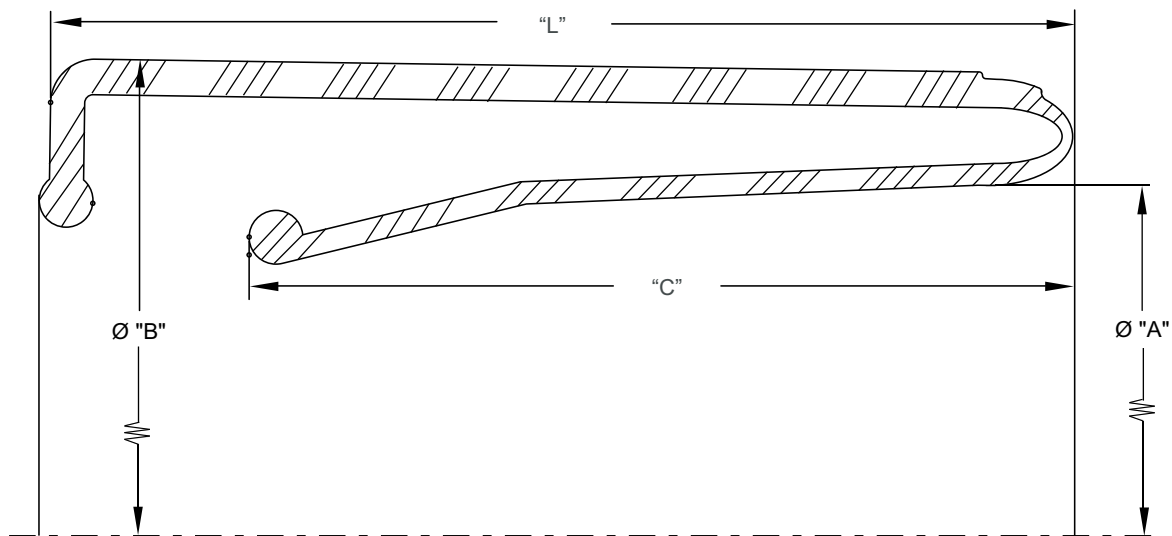


Mitsubishi 041 TUB

SIZE	PART#	Ø "A"	Ø "B"	"C"	"L"
22.5"	W04-M80-0000	410 mm	528 mm	254 mm	381 mm
		16.14 in	20.77 in	10.00 in	15.00 in
24.5"	W04-M80-0003	466 mm	574 mm	254 mm	381 mm
		18.33 in	22.60 in	10.00 in	15.00 in

Firestone
INDUSTRIAL PRODUCTS COMPANY

MITSUBISHI 043 TUB

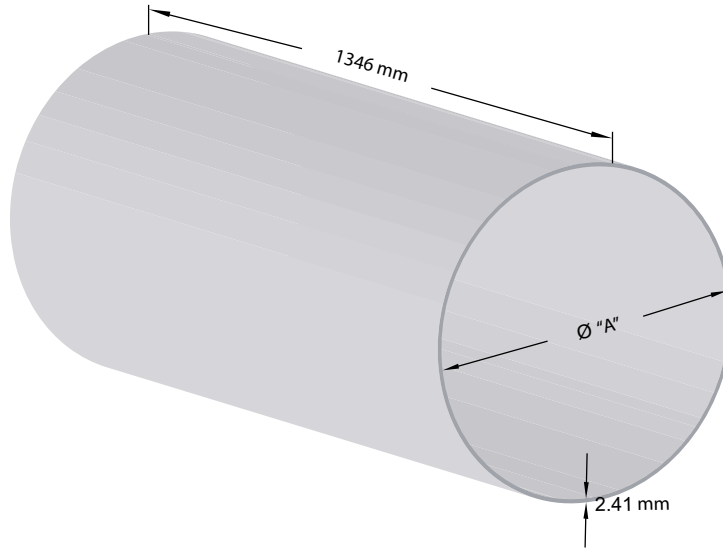


MITSUBISHI 043 SEAL

SIZE	PART#	Ø "A"	Ø "B"	"C"	"L"
22.5"	W04-M80-0001	485 mm	523 mm	146 mm	184 mm
		19.10 in	20.60 in	5.75 in	7.25 in
24.5"	W04-M80-0004	485 mm	566 mm	149 mm	188 mm
		19.10 in	22.29 in	5.88 in	7.38 in

Firestone
INDUSTRIAL PRODUCTS COMPANY

— MITSUBISHI DRUM SLEEVE —

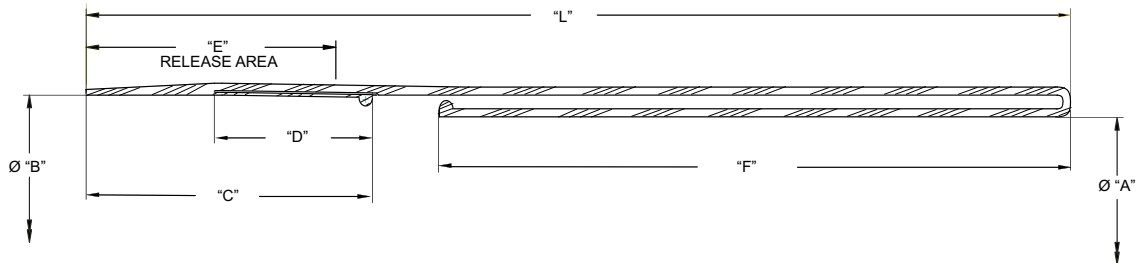


— MITSUBISHI DRUM SLEEVE —

SIZE	PART#	Ø "A"
19.5"	W04-M80-0008	473 mm
		18.62 in
22.5"	W04-M80-0002	554 mm
		21.81 in
24.5"	W04-M80-0005	585 mm
		23.03 in

Firestone
INDUSTRIAL PRODUCTS COMPANY

#90 TUB

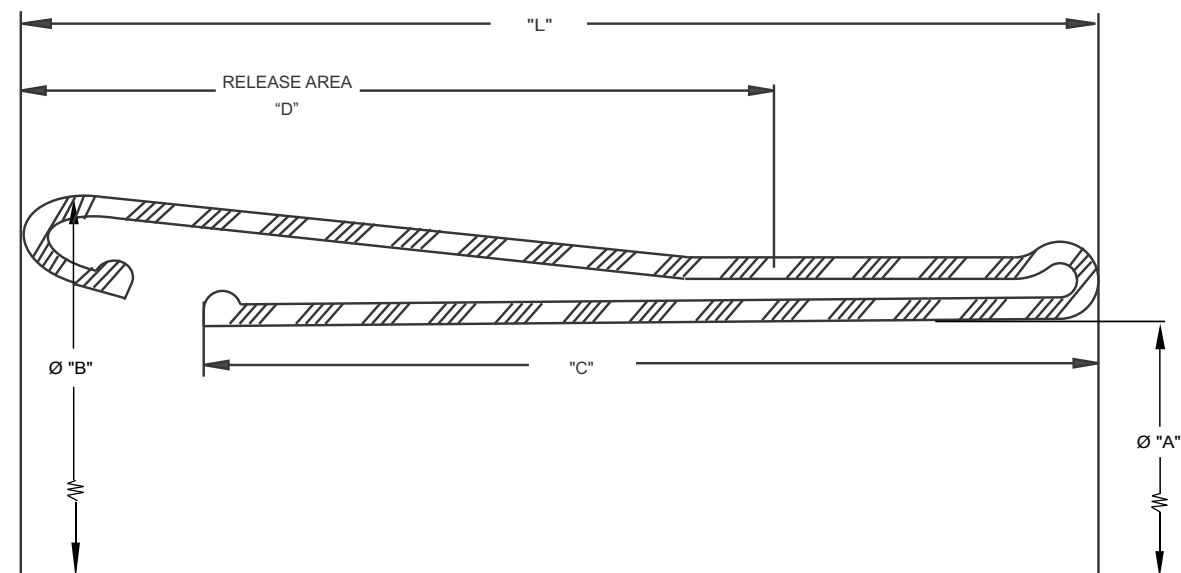


#90 TUB

SIZE	PART#	Ø "A"	Ø "B"	"C"	"D"	"E"	"F"	"L"
17.5"	W04-358-5987	358 mm	368 mm	208 mm	114 mm	184 mm	396 mm	632 mm
		14.08 in	14.48 in	8.17 in	4.50 in	7.25 in	15.59 in	24.88 in
19.5"	W04-358-5988	407 mm	417 mm	205 mm	127 mm	184 mm	416 mm	635 mm
		16.01 in	16.42 in	8.07 in	5.00 in	7.25 in	16.38 in	25.00 in
20"	W04-358-5993	445 mm	461 mm	208 mm	114 mm	184 mm	491 mm	725 mm
		17.53 in	18.14 in	8.17 in	4.50 in	7.25 in	19.32 in	28.58 in
22"	W04-358-5992	496 mm	510 mm	208 mm	114 mm	184 mm	485 mm	704 mm
		19.54 in	20.09 in	8.17 in	4.50 in	7.25 in	18.69 in	27.72 in
22.5"	W04-358-5989	480 mm	484 mm	188 mm	114 mm	159 mm	422 mm	629 mm
		18.88 in	19.05 in	7.38 in	4.50 in	6.25 in	16.63 in	24.75 in
24.5"	W04-358-5986	527 mm	540 mm	189 mm	114 mm	159 mm	421 mm	630 mm
		20.75 in	21.25 in	7.44 in	4.50 in	6.25 in	16.57 in	24.81 in

Firestone
INDUSTRIAL PRODUCTS COMPANY

401 OUTER TUB



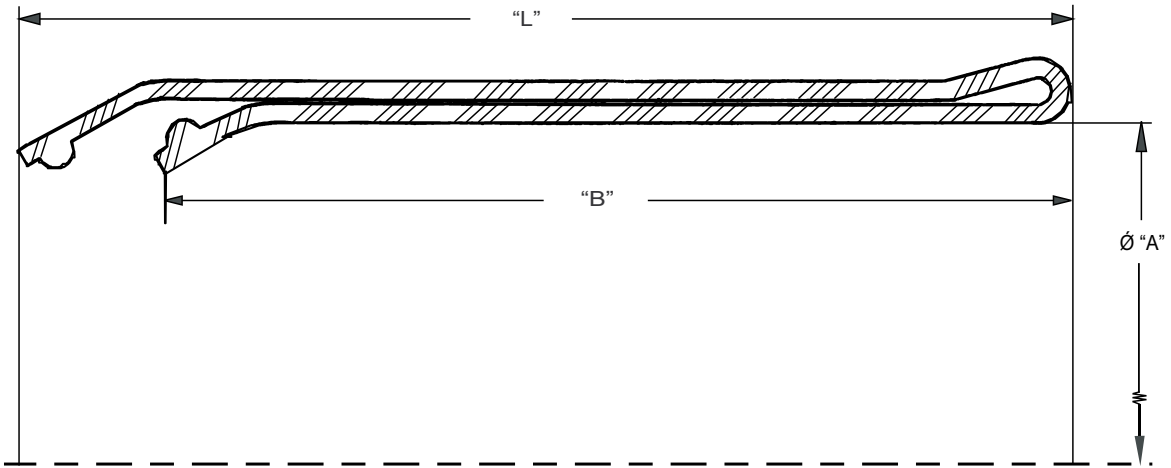
401 OUTER TUB

SIZE	PART#	Ø "A"	Ø "B"	"C"	"D"	"L"
16"	W04-358-3580	308 mm	381 mm	221 mm	254 mm	279 mm
		12.11 in	15.00 in	8.70 in	10.00 in	11.00 in
20"	W04-358-3582	373 mm	482 mm	229 mm	279 mm	305 mm
		14.70 in	19.00 in	9.02 in	11.00 in	12.00 in
22.5"	W04-358-3584	423 mm	533 mm	215 mm	279 mm	305 mm
		16.66 in	21.00 in	8.46 in	11.00 in	12.00 in

401 OUTER TUB - REINFORCED

SIZE	PART#	Ø "A"	Ø "B"	"C"	"D"	"L"
20" x 11	W04-358-3577	373 mm	483 mm	229 mm	279 mm	279 mm
		14.70 in	19.00 in	9.02 in	11.00 in	12.00 in
20" x 15	W04-358-3572	373 mm	483 mm	331 mm	483 mm	406 mm
		14.70 in	19.00 in	13.02 in	19.00 in	16.00 in
22.5" x 11	W04-358-3578	423 mm	533 mm	215 mm	279 mm	305 mm
		16.66 in	21.00 in	8.46 in	11.00 in	12.00 in
22.5" x 15	W04-358-3573	423 mm	533 mm	317 mm	483 mm	406 mm
		16.66 in	21.00 in	12.46 in	19.00 in	16.00 in
24.5" x 11	W04-358-3579	473 mm	559 mm	206 mm	279 mm	305 mm
		18.62 in	22.00 in	8.09 in	11.00 in	12.00 in
24.5" x 15	W04-358-3574	472 mm	584 mm	331 mm	483 mm	406 mm
		18.62 in	23.00 in	13.03 in	19.00 in	16.00 in

401 INNER TUB



401 INNER TUB

SIZE	PART#	Ø "A"	"B"	"L"
16"	W04-358-3571	273 mm	189 mm	230 mm
		10.75 in	7.44 in	9.04 in
20"	W04-358-3575	340 mm	213 mm	257 mm
		13.37 in	8.37 in	10.11 in
22.5"	W04-358-3576	385 mm	219 mm	250 mm
		15.19 in	8.62 in	9.86 in
24.5"	W04-358-3581	440 mm	213 mm	257 mm
		17.33 in	8.37 in	10.11 in

Firestone
INDUSTRIAL PRODUCTS COMPANY

INDEX

Passenger/Light Truck

PART	PAGE #
88C TUB	
88C Inner	04
88C Outer	03
88HP TUB	
88HP x 8.8 TUB	01
88HP x 9.8 TUB	01
88HP x 10.0 TUB	02
88HP x 10.5 TUB	02
VMI/FP TUB	
VMI/FP TUB 118/120	05
VMI/FP Bead Set	06
VMI/FP Return Spring	07

Truck

PART	PAGE #
#90 TUB	11
MITSUBISHI BLADDERS	
Mitsubishi 041 TUB	08
Mitsubishi 043 Seal	09
Mitsubishi Drum Sleeve	10
NRM 401 Bladders	
401 Outer TUB	12
401 Inner TUB	13